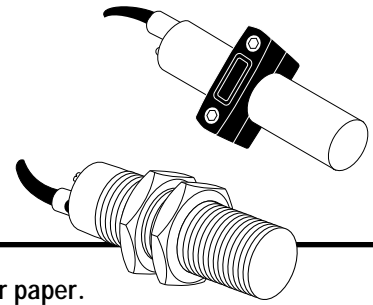


# Capacitive Sensors

DC  
AC



For sensing metallic and non-metallic objects such as liquids, glass, plastic, powders, or paper.

Proximity Sensors

## 0-70mm (Unshielded) and 3-10mm (Shielded) Adjustable Sensing Ranges

Connector Type	Circuit Description	Housing Material	Shielded Model No.	Unshielded Model No.	Maximum Load Current @ 140°F	Maximum Load Current @ 176°F	Leakage Current	Voltage Drop*	Maximum Switching Frequency	Short Circuit Protected
<b>18mm Threaded Tubular 2-8mm Adjustable DC 10-55V</b>										
6.6' Cable	3W, NPN, NO	Plastic	—	ET710-33110	200mA	100mA	<10µA	<2.5 VDC	300Hz	yes
6.6' Cable	3W, PNP, NO	Plastic	—	ET711-33110	200mA	100mA	<10µA	<2.5 VDC	300Hz	yes
<b>18mm Threaded Tubular 2-8mm Adjustable AC 20-250V</b>										
6.6' Cable	2W, AC, NO	Plastic	—	ET720-33410	200mA	100mA	<2mA @250VAC	<8 VAC	15Hz	no
<b>30mm Threaded Tubular 5-15mm Adjustable DC 10-55V</b>										
6.6' Cable	3W, NPN, NO	Metal	ET710-42110	—	200mA	100mA	<10µA	<2.5 VDC	100Hz	yes
6.6' Cable	3W, PNP, NO	Metal	ET711-42110	—	200mA	100mA	<10µA	<2.5 VDC	100Hz	yes
<b>30mm Threaded Tubular 5-15mm Adjustable AC 20-250V</b>										
6.6' Cable	2W, AC, NO	Metal	ET720-42410	—	200mA	100mA	<2mA @250VAC	<8 VAC	15Hz	no
<b>30mm Threaded Tubular 8-20mm Adjustable DC 10-55V</b>										
6.6' Cable	3W, NPN, NO	Metal	—	ET710-43110	200mA	100mA	<10µA	<2.5 VDC	100Hz	yes
6.6' Cable	3W, PNP, NO	Metal	—	ET711-43110	200mA	100mA	<10µA	<2.5 VDC	100Hz	yes
6.6' Cable	3W, NPN, NO	Plastic	—	ET710-53110	200mA	100mA	<10µA	<2.5 VDC	100Hz	yes
6.6' Cable	3W, PNP, NO	Plastic	—	ET711-53110	200mA	100mA	<10µA	<2.5 VDC	100Hz	yes
<b>30mm Threaded Tubular 8-20mm Adjustable AC 20-250V</b>										
6.6' Cable	2W, AC, NO	Metal	—	ET720-43410	200mA	100mA	<2mA @250VAC	<8 VAC	15Hz	no
6.6' Cable	2W, AC, NO	Plastic	—	ET720-53410	200mA	100mA	<2mA @250VAC	<8 VAC	15Hz	no
<b>34mm Smooth Tubular 0-20mm Adjustable DC 10-55V</b>										
6.6' Cable	3W, NPN, NO	Plastic	ET710-82110	ET710-83110	200mA	100mA	<10µA	<3 VDC	100Hz	yes
6.6' Cable	3W, PNP, NO	Plastic	—	ET711-83110	200mA	100mA	<10µA	<3 VDC	100Hz	yes
<b>34mm Smooth Tubular 0-20mm Adjustable AC 20-250V</b>										
6.6' Cable	2W, AC, NO	Plastic	—	ET720-83410	200mA	100mA	<2mA @250VAC	<8 VAC	15Hz	no

\* Across conducting sensor

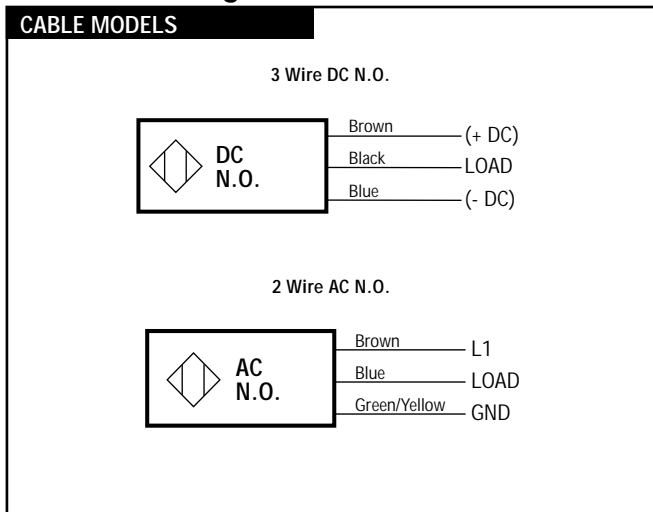
► Consult factory for normally closed model availability.



# Common Sensor Characteristics

CAPACITIVE SENSORS	
Shielded Sensing Range	3-10mm
Unshielded Sensing Range	0-70mm
Standard Target (mm) (mild steel)	24x24x1 (2-8 Unshielded Range) 45x45x1 (3-10mm Shielded Range) 60x60x1 (0-20mm Unshielded Range) 210x210x1 (20-70mm Unshielded Range)
Repeatability	±5%
Hysteresis	3-20%
Temperature Drift (max.)	± 20%
Ambient Temperature Range	-13°F to +176°F (18mm & 34mm) -13°F to +140°F (30mm & Flat Pack)
Reverse Polarity Protected	yes
Current Consumption	18mm & 34mm DC: <7mA 30mm & 34mm AC: <2mA 30mm & Flat Pack DC: <10mA
NEMA Enclosure Type	Metal: 1, 12, 13 Plastic: 1, 4, indoor, 12, 13
LED Indicator	red = target
Metal Housings	Chrome Plated Brass
Plastic Housings	Ultradur®
Shipping Weight	18mm: 8 oz. 30mm: 10 oz. 34mm: 11 oz. (Add 5 oz. for 6' Cable)

# Circuit Drawings



# Dimensional Drawings

# DC & AC

Proximity Sensors

**18mm MODELS** Body threads = M18x1

**30mm MODELS** Body threads = M30x1.5

**34mm MODELS**

**MOUNTING BRACKET**

Part No. ET018-20020  
Included with sensors



2013 West Meeting Street • Lancaster, SC 29720  
1-803-286-8491 • FAX: 1-800-678-6263  
www.namcocontrols.com

For technical assistance, call 1-800-NAMTECH